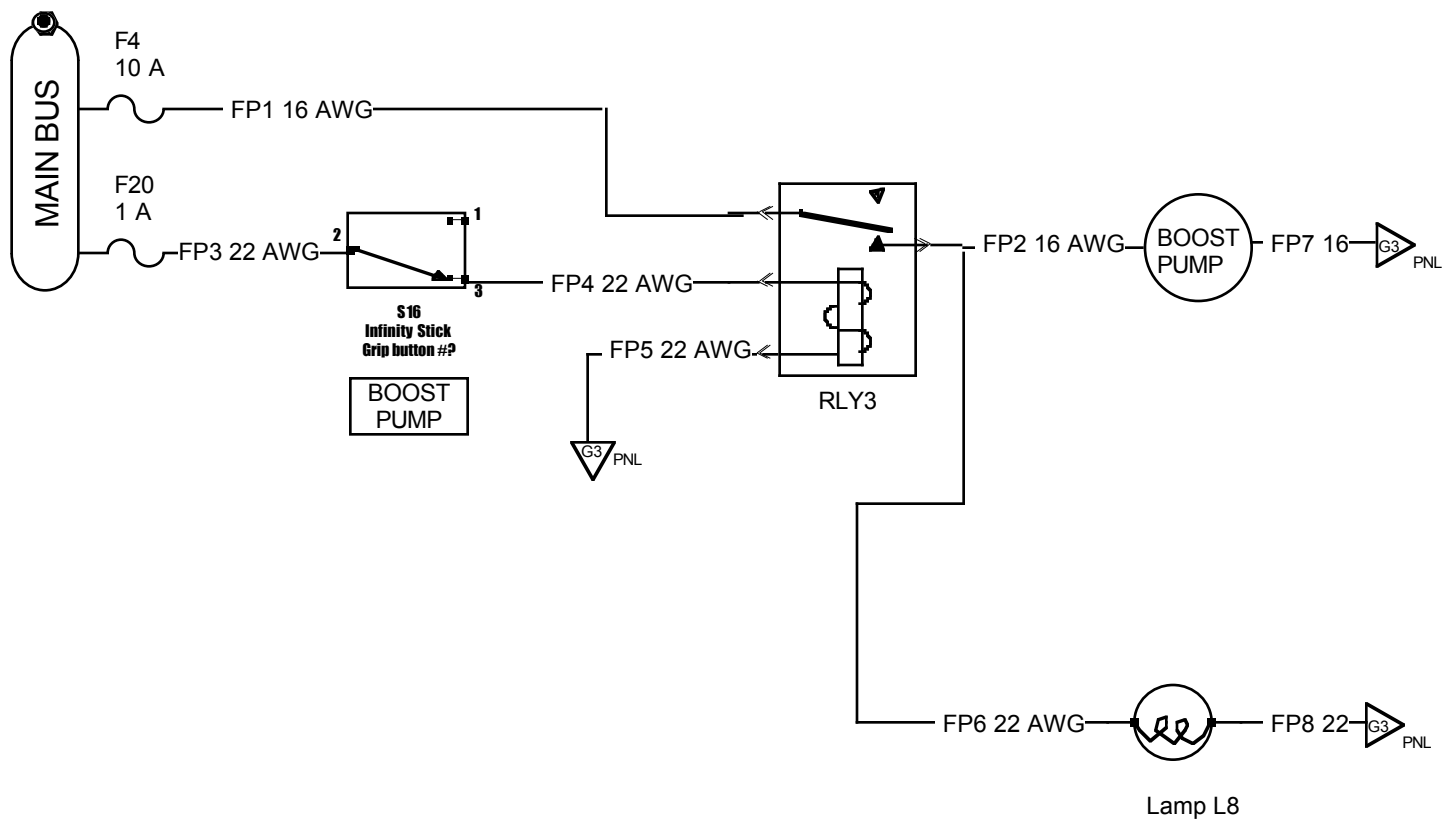


BOOST PUMP



RLY3 = NTE P/N R51-1D40-12F
40 A relay, 88 ohm coil
Vendor P/N from Active = 78268