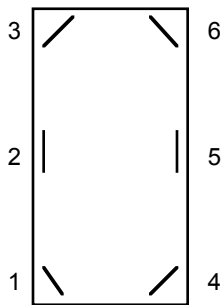
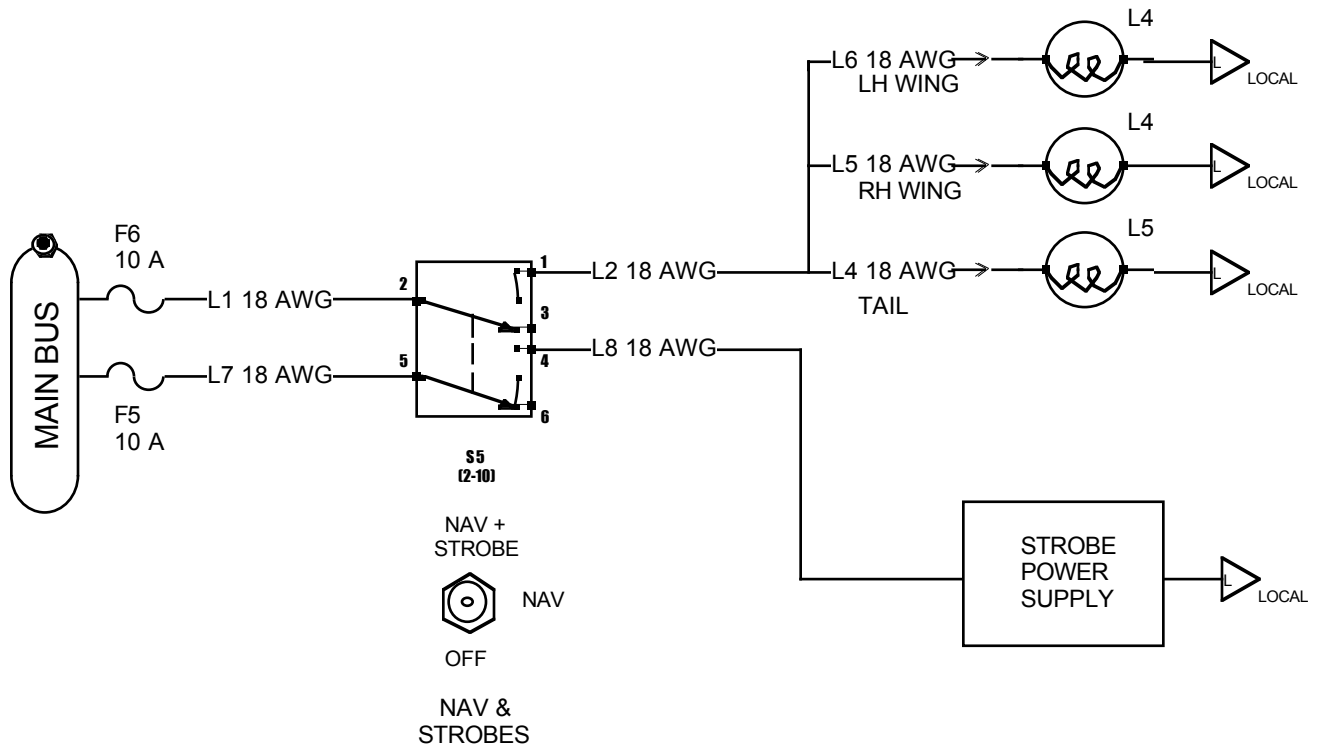


POSITION LIGHTS & STROBES



Switch viewed from back.
Keyway Up

Notes: Wing nav lights 1.9a each
 Tail nav light 1.8a
 Strobes 7.0a

To do: Verify 10a fuse sufficient for nav light
 in-rush current.