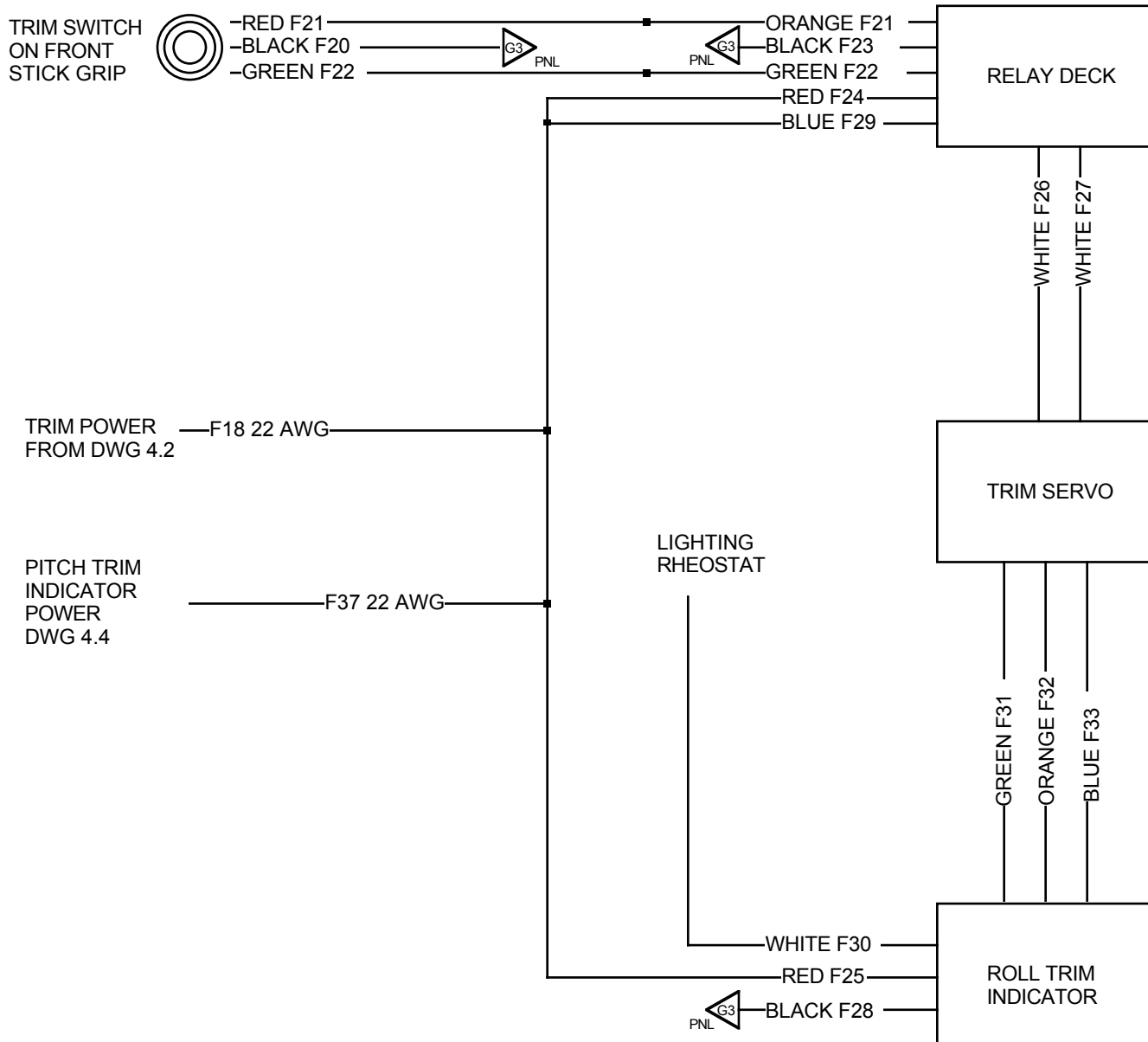


ROLL TRIM



NOTES: 1. Wires with no size indicated are permanently attached to components supplied with trim system.

2. Conduct functional check to confirm trim moves in correct direction. May need to swap wires between relay deck and servo.

3. Stick grip coolie hat connects either Red or Green wire to Black when roll trim is selected.